



Accessories for Ex AZM 415 / Ex AZP 415

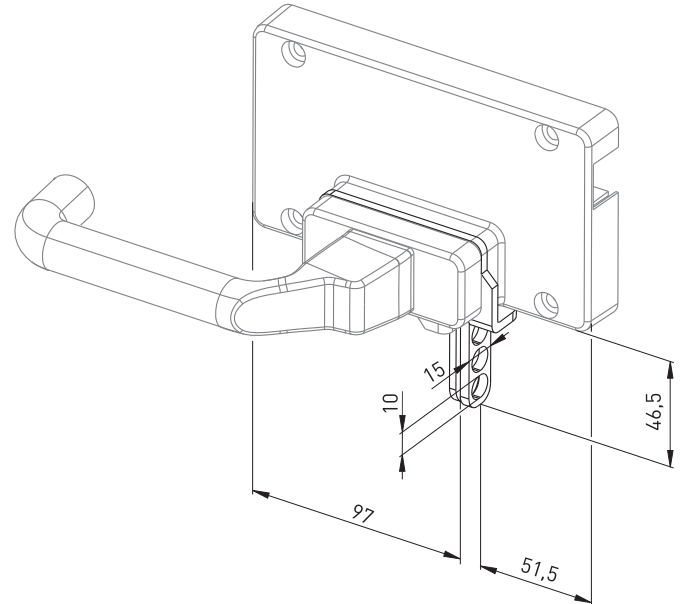
Lockout tag SZ 415-1

Material no.: 1187200 (material no. old: 01.08.0421)

Product features

- For actuator AZM 415-B30-01, -03, -06 and -08
- To prevent inadvertent closing, e. g. during maintenance by preventing actuation of the switch
- Suitable for mounting inside and outside the hazardous area

Dimensions



Errors and omissions excepted.