



Accessories for hinge switches

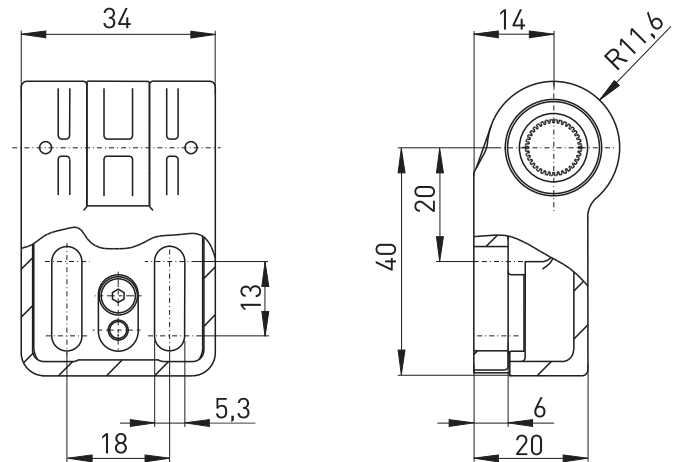
Adjustable hinge L

Material no.: 1169836 (material no. old: 01.08.0147)

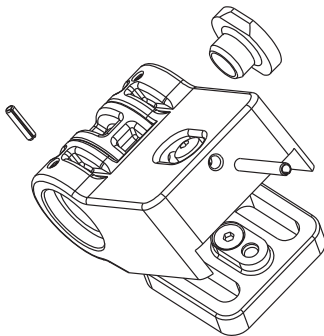
Product features

- Suitable for ES 98 SB-10mm, Ex 98 SB-10mm and Ex 355 V10S
- Incl. locating pins, 1 blanking plug and 2 screws
M5 x 20 to ISO 7380

Dimensions



Adjustable hinge L



Errors and omissions excepted.